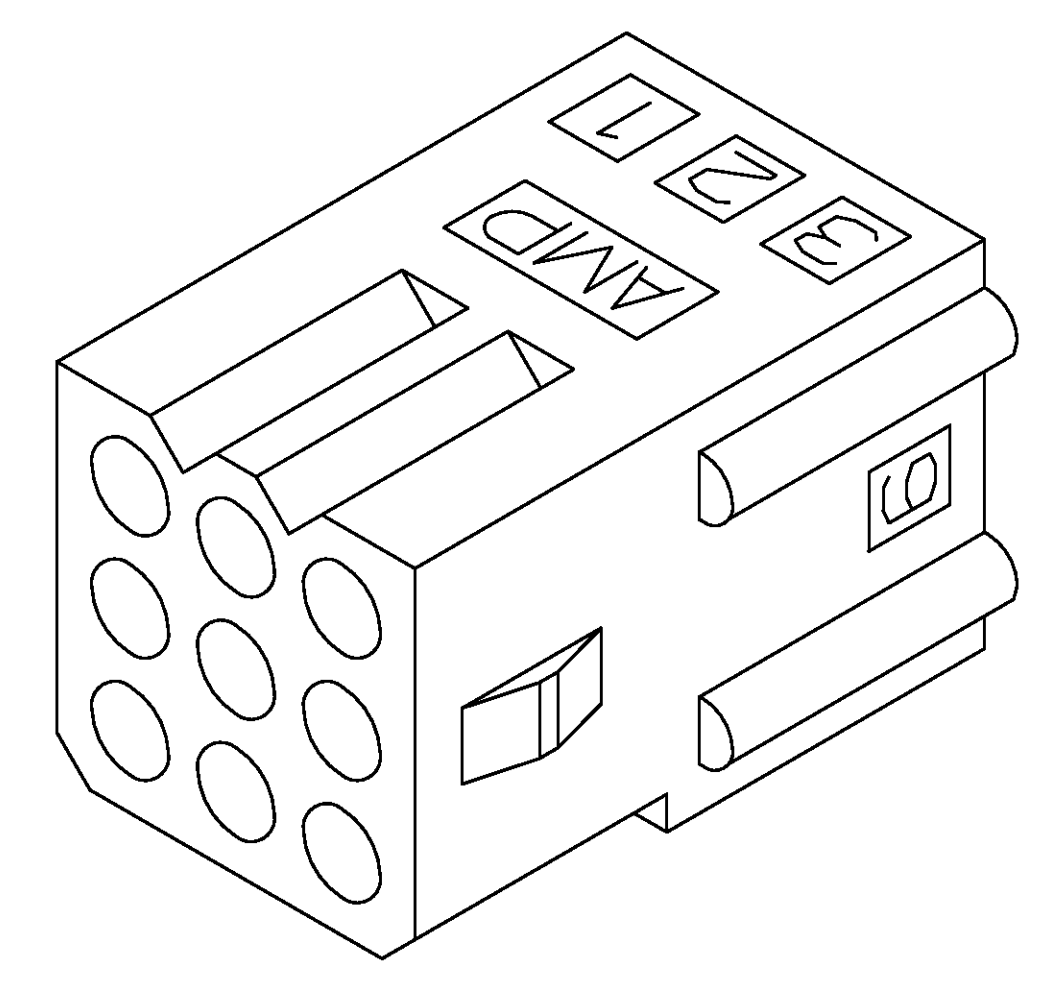
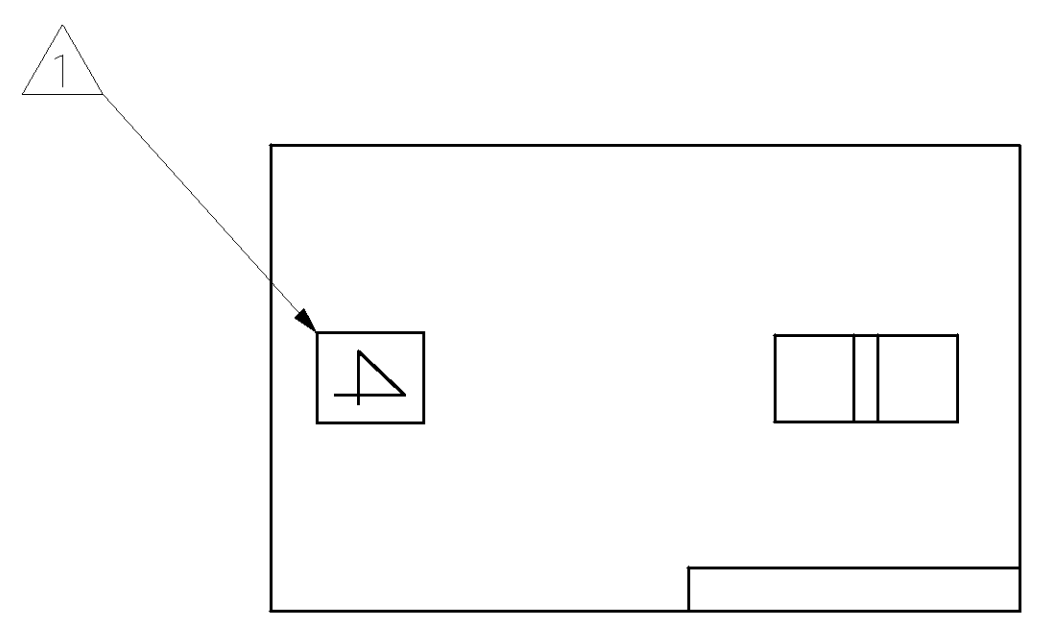
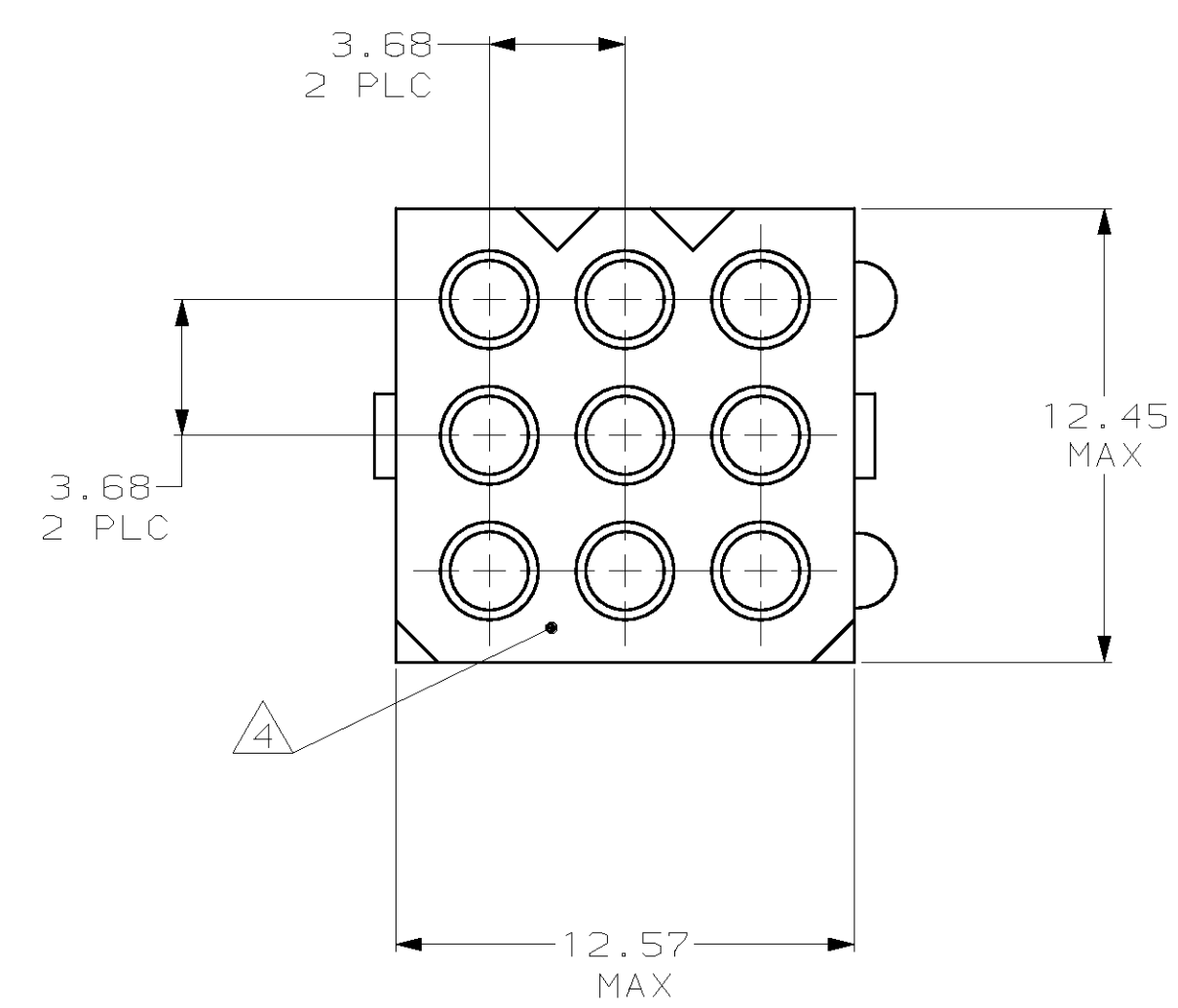
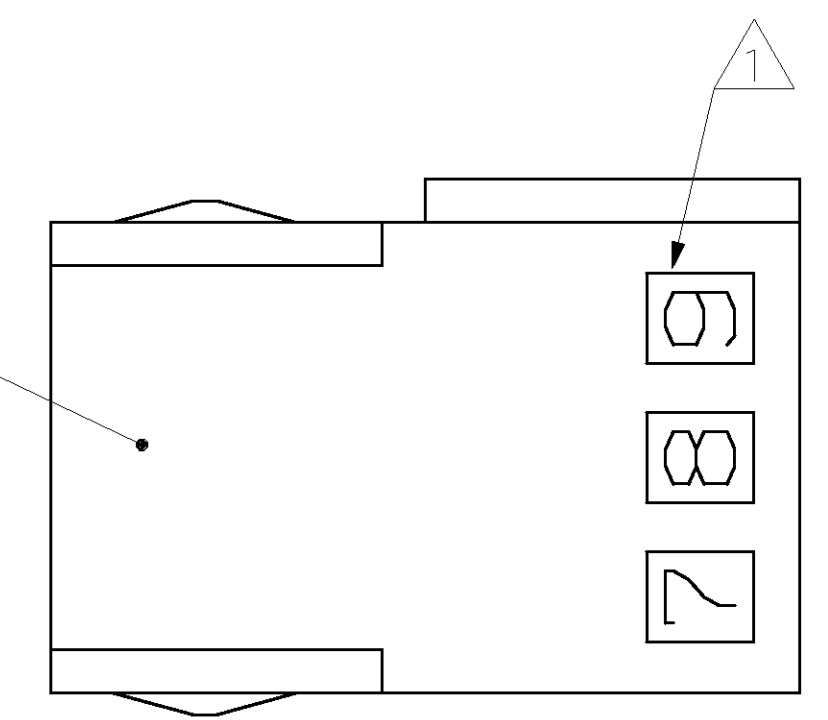
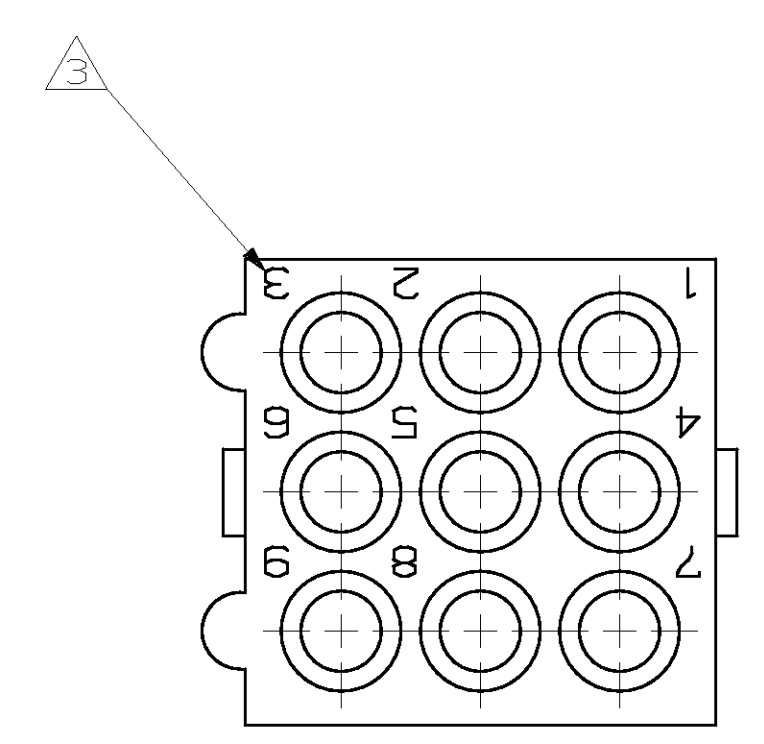
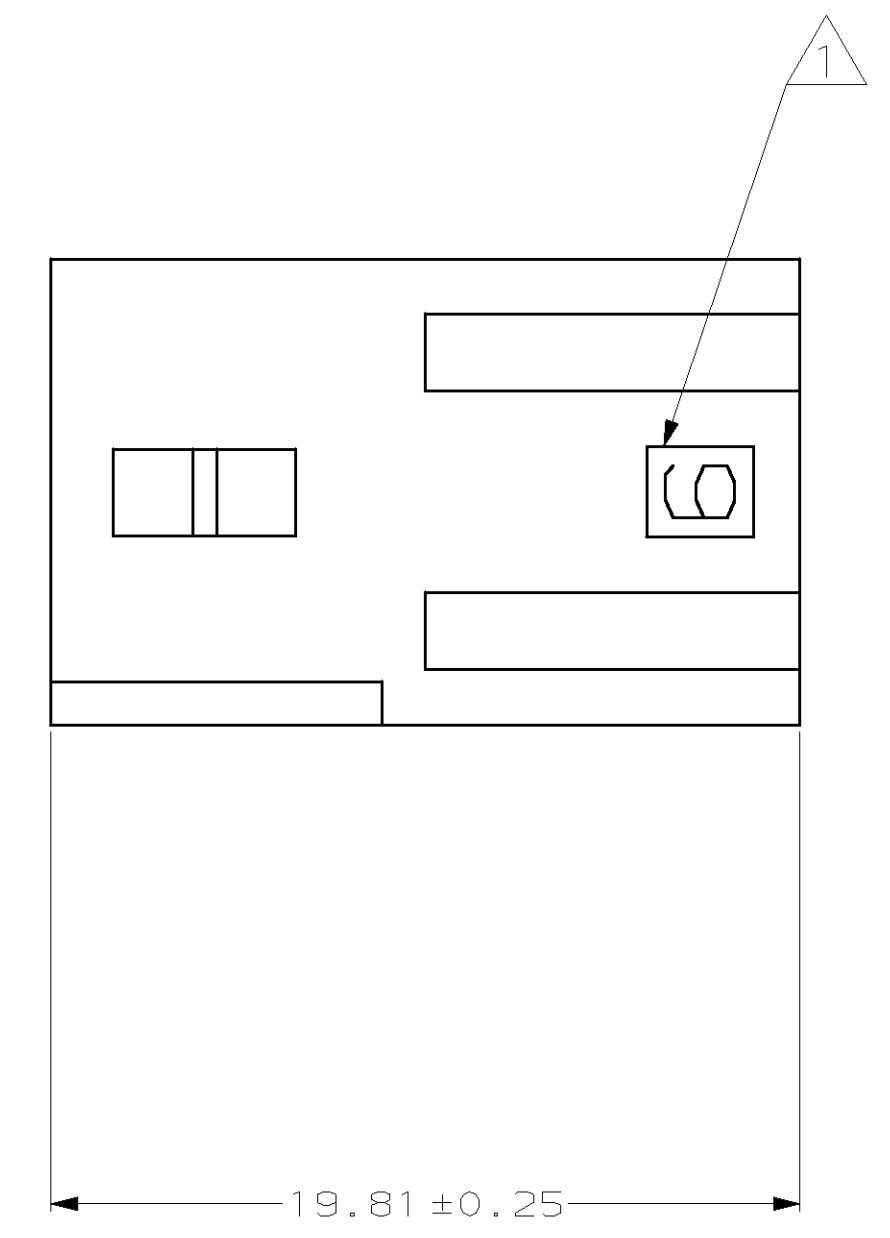
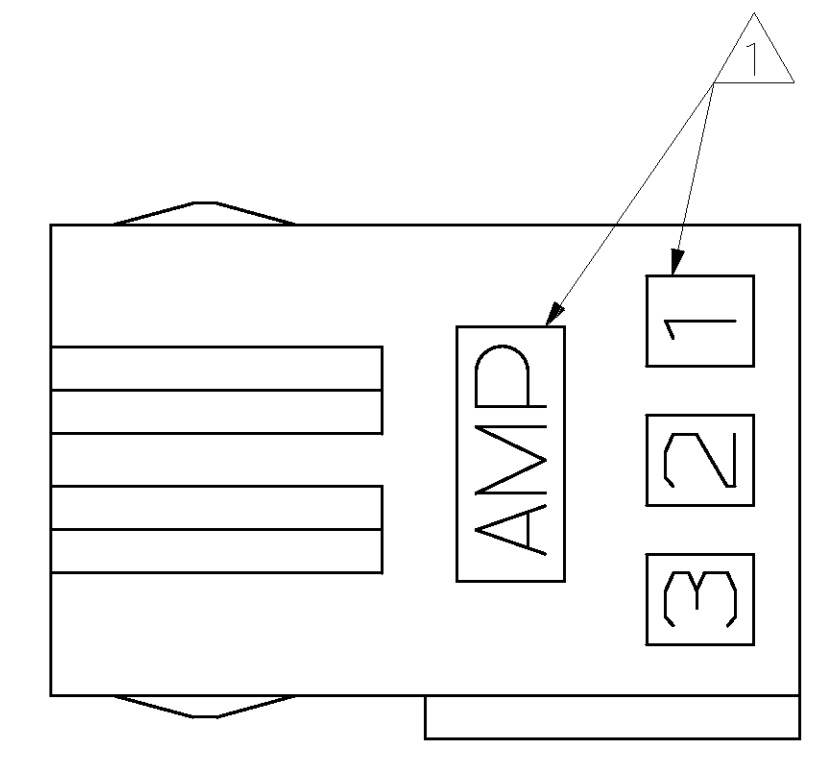


LOC	QTY	REV	DESCRIPTION	DATE	OWN	APVD
CM	53					
C		REV & REDWN	PER EC	0L30-0214-97	10-20-97	KW R5

- ① AMP LOGO AND CIRCUIT NUMBERS LOCATED APPROXIMATELY AS SHOWN.
- ② CSA LOGO AND UL LOGO LOCATED ON THIS SURFACE.
- ③ CIRCUIT NUMBERS MAY OR MAY NOT APPEAR.
- ④ AMP LOGO MAY OR MAY NOT APPEAR ON THIS SURFACE.



3-DIMENSIONAL MODEL NTS

MM	IN
19.81	.780
12.57	.495
12.45	.490
3.68	.145
1.58	.062
0.25	.010
0.13	.005

CONVERSION TABLE

770429-1
PART NUMBER

METRIC

THIS DRAWING IS A CONTROLLED DOCUMENT.

DIMENSIONS:	TOLERANCES UNLESS OTHERWISE SPECIFIED.	OWN: K. WHITAKER	10-20-97	AMP Incorporated
mm	9 PLC ±.01	CHK: R. SWING	10-20-97	Harrisburg, PA 17105-3608
	1 PLC ±.01	APVD: K. CORLE	10-20-97	
	2 PLC ±0.13	PRODUCT SPEC:		RECEPTACLE, PANEL MOUNT, 9 CIRCUIT, .062 PIN AND SOCKET
	3 PLC ±.01	APPLICATION SPEC:		
	4 PLC ±.01	HEIGHT:		
MATERIAL: NYLON, JL 94V-2, NATURAL	FINISH: -	SCALE: 5:1	SHEET 1 OF 1	REV C

CUSTOMER DRAWING